



Model 601P / J / K Temperature Controller



The 601 P / J / K Temperature Controller , is a 1 setpoint indicating temperature controller

To set setpoint 1 , push (**PUSH 1**) to see the setpoint, then adjust the setpoint by turning the (**SET 1**) pot.

To adjust the controlling band , simply adjust the front (**SPEED**) pot

Physical Dimensions

Bezel Size 97 x 97 mm
Cutout Size 91 x 91 mm
Depth 120 mm

Ranges

Pt100 0 - 200,0 °C
Pt100 0 - 400 °C
Type J 0 - 600 °C
Type K 0 - 1300 °C

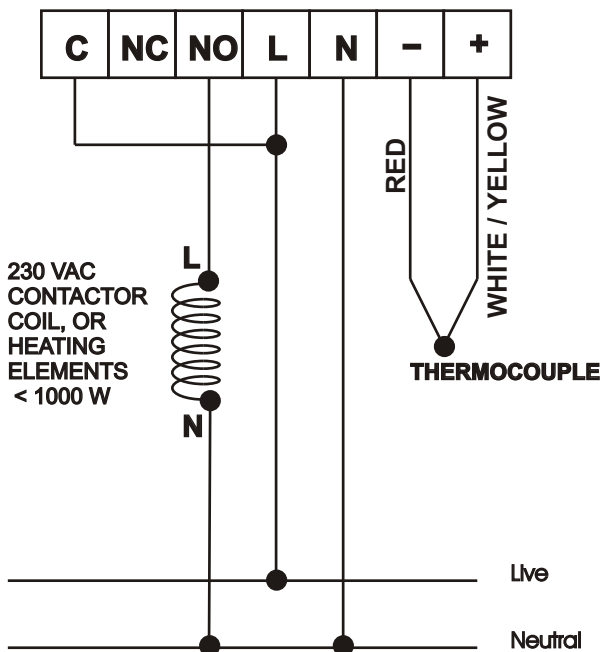
Supply Voltage

380 VAC , 230 VAC , 115 VAC
110 VDC , 24 VDC , 12 VDC

Current Consumption

+/- 16 mA @ 230 VAC

WIRING DIAGRAM FOR THERMOCOUPLE MODELS : 601J/K ,641HJ/K, 641VJ/K, 301J/K, 401J/K AND 671J/K



WIRING DIAGRAM FOR PT100 MODELS : 601P ,641HP, 641VP, 301P, 401P AND 671P

